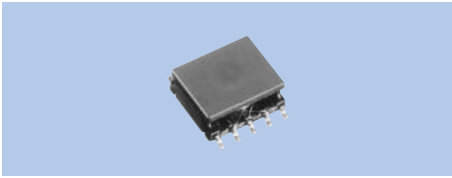


# Transformers for Inverter or Converter TR Series

Coils, Filters

## TR9-B-S

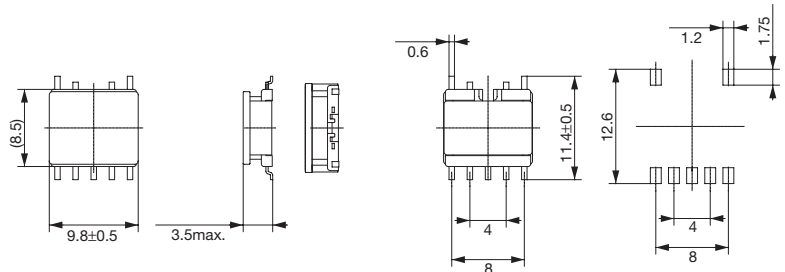


**Specifications**

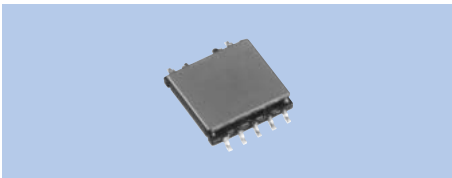
- (1) —
- (2) 10~300kHz
- (3) 1W

**Features**

- SMD
- 500pcs./Reel



## TR11-D-S

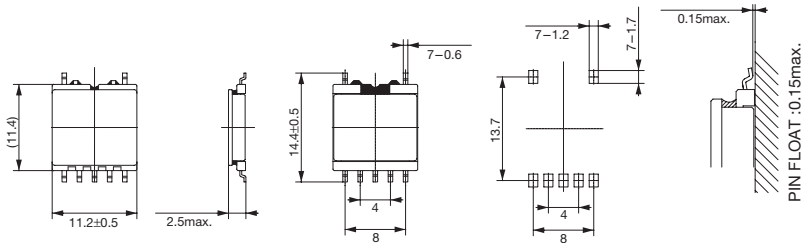


**Specifications**

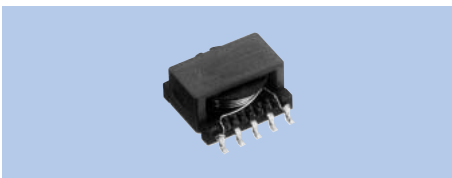
- (1) —
- (2) 10~300kHz
- (3) 1W

**Features**

- SMD
- 500pcs./Reel



## TR11-A-S



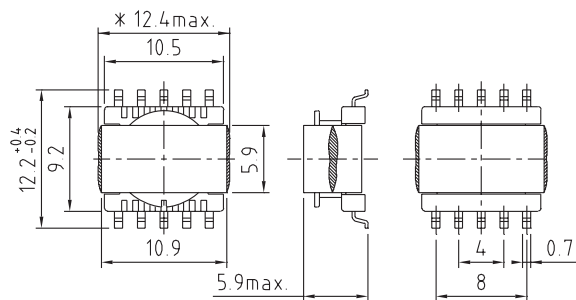
**Specifications**

- (1) —
- (2) 10~300kHz
- (3) 2W

**Features**

- SMD
- 500pcs./Reel

Dimensions marked with an asterisk(\*) include adhesive overflow.



## TR11-A1-S

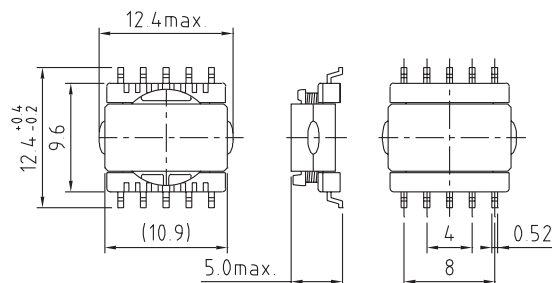


**Specifications**

- (1) —
- (2) 10~300kHz
- (3) 1.5W

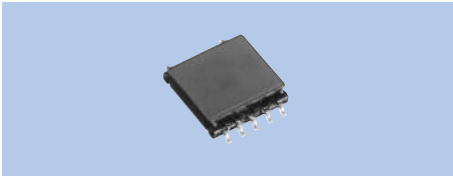
**Features**

- SMD
- 500pcs./Reel



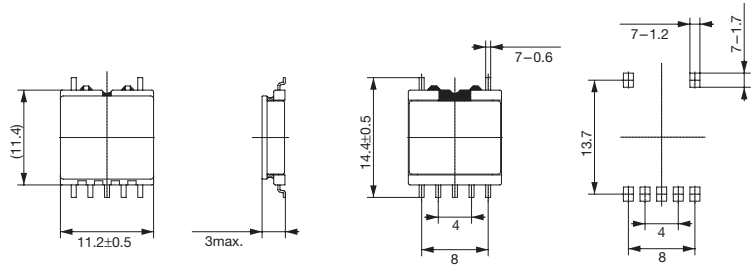
- (1) Inductance
- (2) Operational frequency
- (3) Power Capacity

TR11-C-S



**Specifications**  
 (1) -  
 (2) 10~300kHz  
 (3) 1.3W

**Features**  
 SMD  
 500pcs./Reel



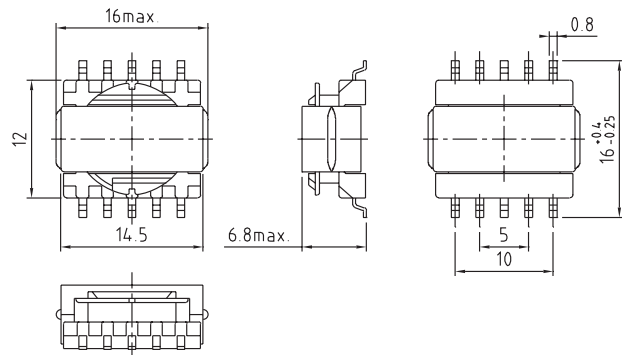
www.DataSheet4U.com

TR14-A-S

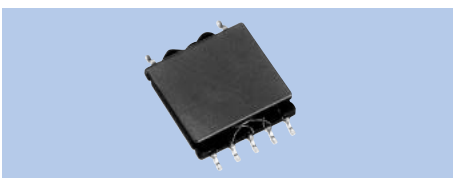


**Specifications**  
 (1) -  
 (2) 10~300kHz  
 (3) 3.0W

**Features**  
 SMD

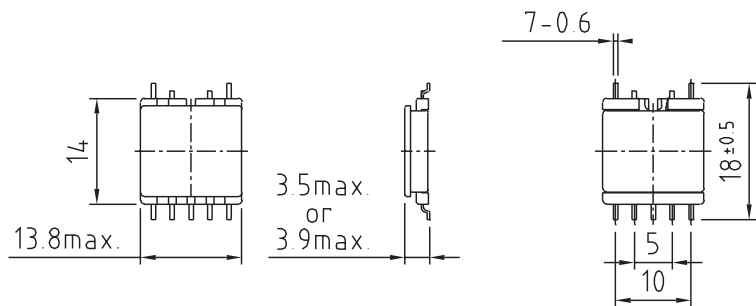


TR14-C-S

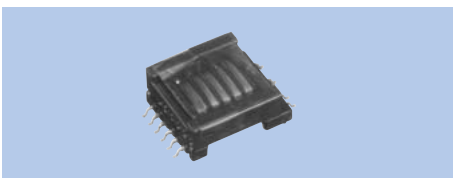


**Specifications**  
 (1) -  
 (2) 10~300kHz  
 (3) 2W

**Features**  
 SMD

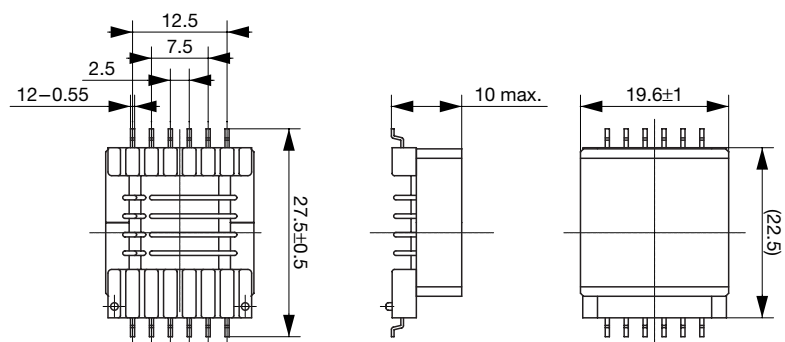


TR21-A-S



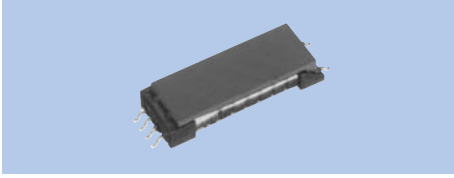
**Specifications**  
 (1) -  
 (2) 10~300kHz  
 (3) 8W

**Features**  
 SMD



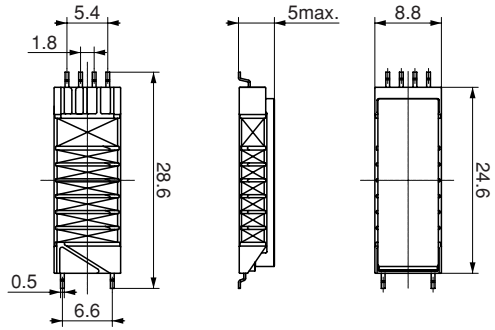
(1) Inductance  
 (2) Operational frequency  
 (3) Power Capacity

### TR25-A-S



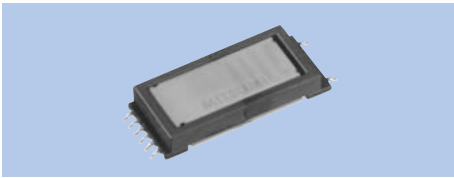
**Specifications**  
 (1) –  
 (2) 10~300kHz  
 (3) 4W

**Features**  
 SMD



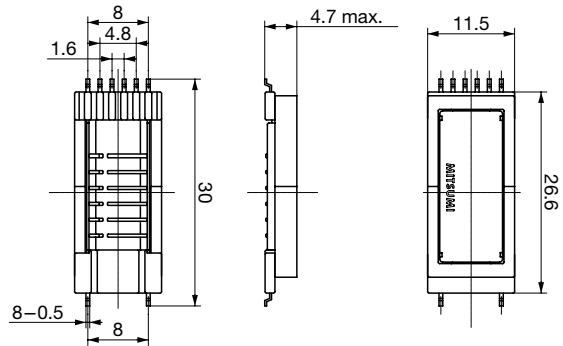
www.DataSheet4U.com

### TR26-A-S

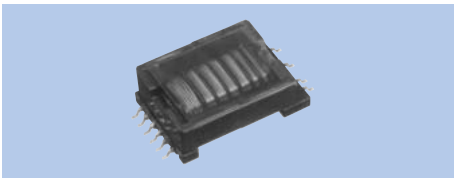


**Specifications**  
 (1) –  
 (2) 10~300kHz  
 (3) 3W

**Features**  
 SMD

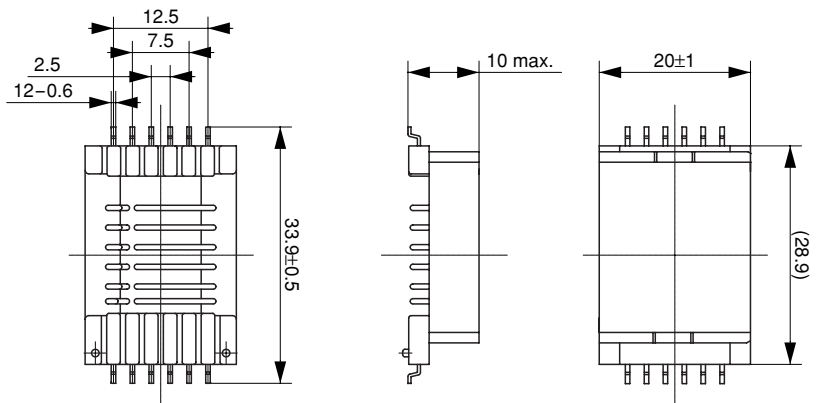


### TR29-A-S



**Specifications**  
 (1) –  
 (2) 10~300kHz  
 (3) 12W

**Features**  
 SMD



(1) Inductance  
 (2) Operational frequency  
 (3) Power Capacity